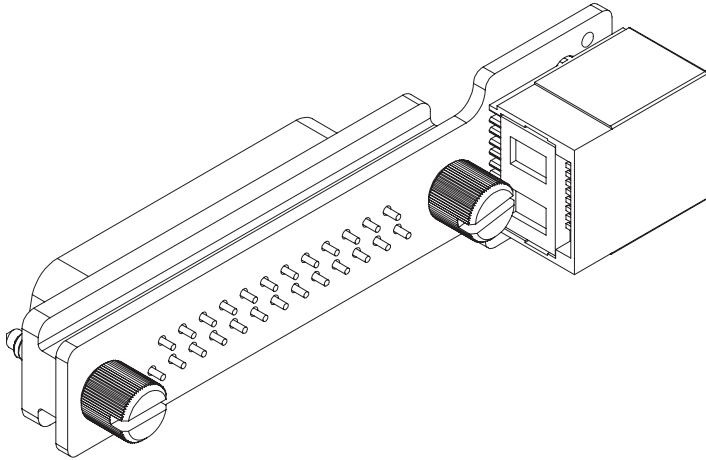




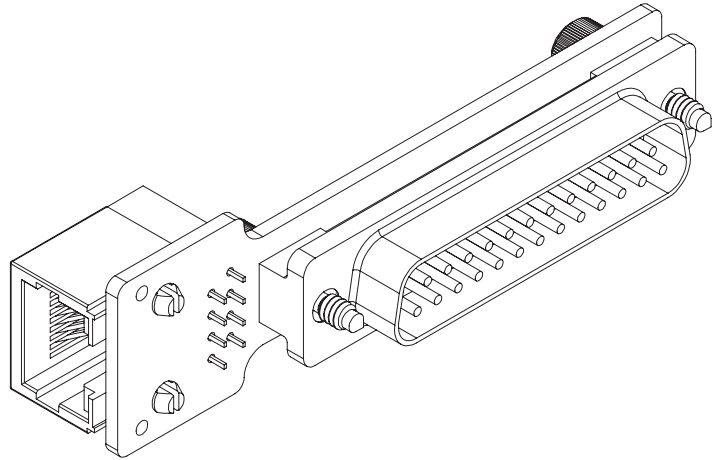
ADP-DDM-R

Low-profile right-angle DB-25 to RJ-45 adapter, designed for Alcatel-Lucent DDMs

FRONT VIEW:

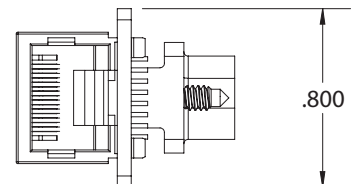
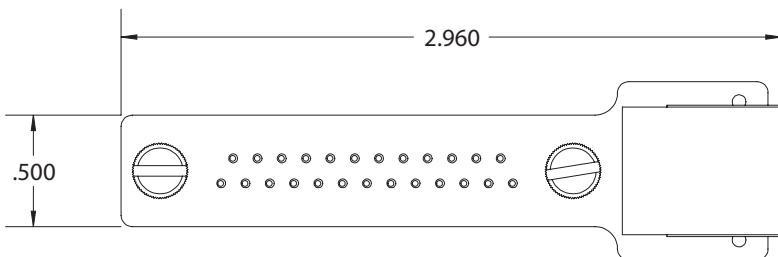
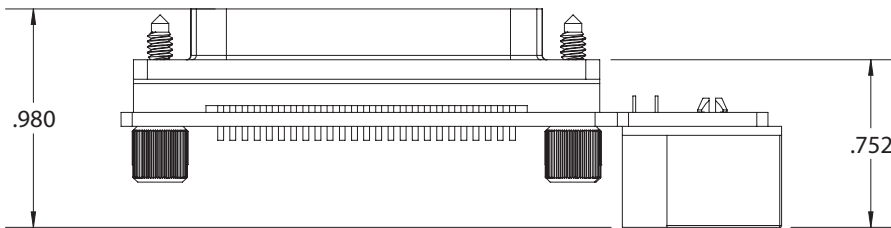


REAR VIEW:



CBM of America's ADP-DDM-R is a DB-25 to RJ-45 adapter designed to connect to Alcatel-Lucent DDMs. A low-profile right-angle configuration is necessary to avoid interfering with the DDM rear cover. The cable connected to the RJ-45 port will exit to the right as the DB-25 port of the DDM is oriented with its widest side down.

Physical Layout and Dimensions



Pinout

The following table contains the pinout; signal names and directions are typical for a DTE DB-25 craft port. Pins 4 and 5 of the DB-25 connector are shorted together.

DB-25 Pin	Signal Name	Direction	RJ-45 Pin
2	TxD	→	3
3	RxD	←	5
4	RTS	↴	
5	CTS	↵	
6, 8	DSR, DCD	←	6
7	GND	—	1, 7
15, 17	TxC, RxC	←	8
20	DTR	→	4